


PRODUCT SHEET

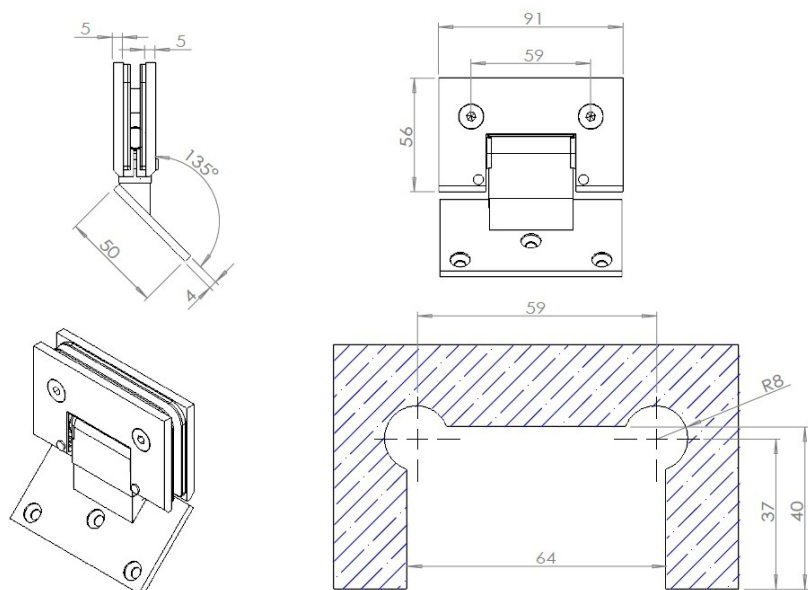
Description:

Shower Hinge "Tex III", 135DG, Black Finish, Wall/Glass, Offset Backpl., 6-10mm. Glass Thickness, W/15 DG Angle Adj., Function & 25DG Return Function, Brass Material, Straight, Edges, Incl. 2 x Transp. 1mm & 2 x Transp. Cushions 2mm, Thickness

Item number:

15.24.062-4

| Units | Box | Carton | HS Code | Barcode |
|-------|-----|--------|------------|--|
| Pcs. | 1 | 20 | 8302100090 |  |
| | | | | 5704866515979 |



SISO A/S

Mileparken 11
DK-2740 Skovlunde
Denmark
VAT: 24786013

Phone +45 45 830 900

www.siso.dk
siso@siso.dk

Danske Bank
Nytorv Branch
Copenhagen
SWIFT: DABADKKK

Account no.
4180 3112 112936
IBAN Account
DK7230003112112936